

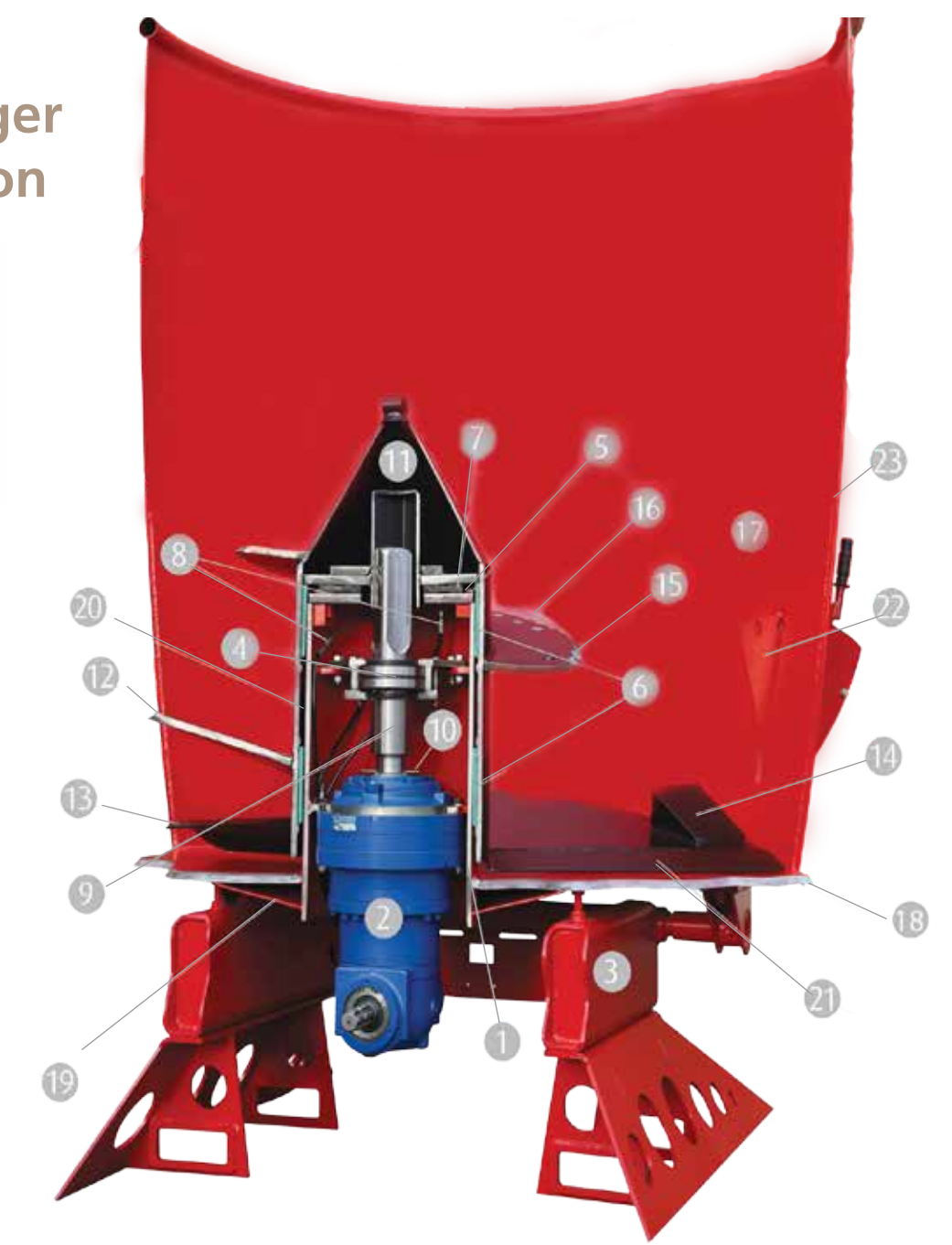


10 Reasons to choose a Tulip Biga Mixer Wagon!

1. Built to handle our unique Australian conditions and feed characteristics.
2. The rapid homogeneous mixing results in healthy cows and high milk yield.
3. Reduced power requirements = fuel savings.
4. Built with high quality materials and components for low service maintenance.
5. Heavy duty planetary gearbox with 5 year warranty*.
6. Heavy duty construction for long reliable machine life.
7. Highest rating for precision weighing system, awarded with DLG quality label. (DLG - Deutsche Landwirtschafts-Gesellschaft e.V - is an independent and internationally recognised expert organisation in the agricultural and food sectors.)
8. Excellent value for money and sound farm machinery investment due to high potential resale value.
9. Over 7,000 satisfied owners worldwide and growing.
10. Supported by Lely Australia's 40 years experience and national dealer network for prompt reliable after-sales service and spare parts.

*Conditions Apply

Unique Auger Construction



Tulip Biga Vertical Feed Mixer Wagon

BUILT FOR AUSTRALIAN CONDITIONS

The new Tulip Biga vertical feed mixer wagon has been built with the latest innovative mixing technology solutions; including a unique auger construction, heavy duty construction and reduced power requirements. The improvements to the mixing chamber and redesigned auger construction now provides for a fast and rapid homogeneous mixing process.

With its uniquely designed auger construction and high quality components, the vertical feed mixer requires low service maintenance and can last a longer life time. Its heavy duty frame, unique design and innovative advancements makes for a perfect mix to suit all Australian conditions and terrain. With tailor made mixer wagons and specifications to fit the Australian conditions, it's hard to bypass the benefits of the Tulip Biga mixer.

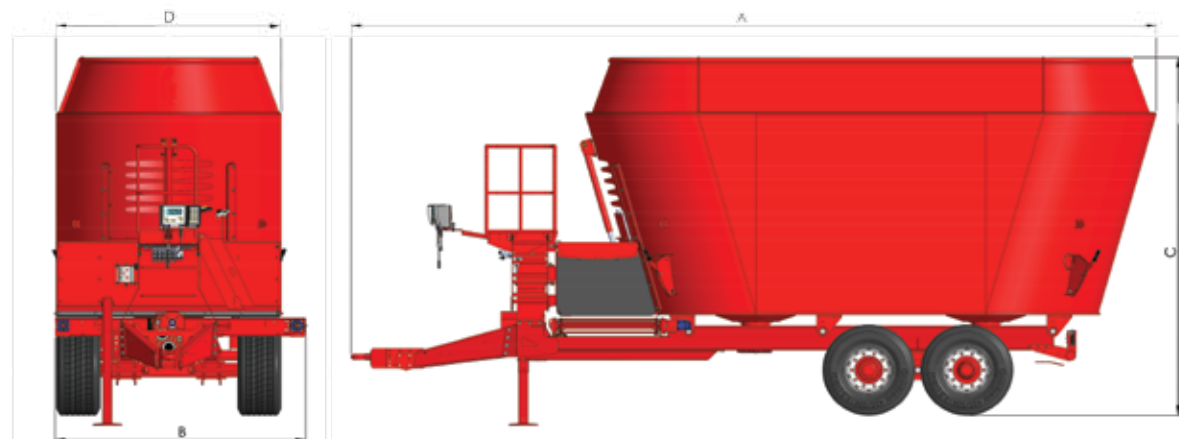
HEAVY DUTY MIXER WAGON

The heavy duty mixer wagon has been constructed with high quality components, a heavy duty gearbox and a unique auger that is 18.7mm thick and made from X60 steel that lasts longer than normal steel. The mixer wagon has been constructed with a 25mm thick heavy duty bottom plate, and 8mm thick tub walls.



- | | |
|--|--|
| <ol style="list-style-type: none"> 1. Vertically positioned inner tube 2. Planetary drive box filled with synthetic oil 3. Solid beam frame 4. Heavy spherical bearing for extra support 5. 20mm steel support plate 6. Synthetic sleeve bearing 7. Polymide top bearing 8. Lines for the central greasing system 9. Chrome molybdenum drive axle 10. Seal protector 11. Auger construction 12. Auger steel with high force resistance | <ol style="list-style-type: none"> 13. Extra auger sweeper for a more continuous feed discharge 14. Kicker for equal discharge pattern 15. Optional alligator teeth on the auger 16. Wolfram carbide knives mounted with counter sunk bolts 17. Optional Hardox / Quard wear ridge 18. Heavy floor plate 19. Stability cone for the inner tube 20. Concentrically placed outer tube 21. Slanting steel bottom knife 22. Counter knife 23. Heavy tub walls |
|--|--|

Mixer Wagon Standard Dimensions & Specifications



Dimensions	A	B*	C	D	Model	Size	Weight (Kg)	Capacity (Kg)	Min HP
Biga 20 Maxi Twin Eco+	7985 mm	2500 mm	3346 mm [#]	2250 mm	Biga 20 Maxi Twin Eco+	20m ³	9150	8600	90
Biga 24 Maxi Twin Eco+	8050 mm	2500 mm	3641 mm	2250 mm	Biga 24 Maxi Twin Eco+	24m ³	9400	9600	95

* Width of mixer as standard. When the optional foldable conveyor extension is fitted the machine width increases to 2735 mm with the conveyor extension fully folded up in the transport position.

Height of Biga 20 as standard with single axle. When fitted with the optional tandem axle the height increases to 3421 mm.

STANDARD SPECIFICATIONS & EQUIPMENT

- › Vertical feed mixer "Generation III"
- › Two double action augers made from 18.7mm thick X60 steel, and with long-life serrated cutting knives
- › Electronic weighing system Digi-Star EZ3400VL with 4 load cells
- › Planetary drive with spherical bearing for each auger
- › Heavy duty two speed reduction gearbox
- › Sight window for inspection of oil level in front gearbox and two large transparent canisters on front of mixer for inspection of oil level in auger gearboxes under the machine
- › Central lubrication of the augers
- › Unilateral main bearing
- › Two adjustable counter knives
- › 60mm protection tube on top of the mixer tub
- › Sight window at the front of the mixer tub
- › Platform with stairs for easy and safe inspection of the mixer tub
- › Electro-hydraulic controls individually adjustable
- › Hydraulically operated 1000mm width front conveyor in stainless steel with left or right discharge
- › Variable speed control for discharge conveyor
- › Hydraulic support jack on side of drawbar
- › Single axle with hydraulic brakes and Goodyear 435/50R19.5 tyres on Biga 20
- › Tandem axle with hydraulic brakes and Goodyear 435/50R19.5 tyres on Biga 24
- › Walterscheid heavy-duty wide angle PTO shaft with shear bolt protection
- › LED road lighting

Optional Equipment

Tandem axle

Tandem axle with Goodyear 435/50R19.5 Tyres instead of single axle for Biga 20



Foldable Conveyor Extension

Length = 1150 mm
Width = 1000 mm
In stainless steel, mounted on the right hand side.



Passionate about farming

Lely has a long and deep history of recognising the needs of modern farmers. Our products are developed with the cow as a starting point. We strive to let her excel and as such, we supply products to farmers and contractors ranging from forage harvesting, to feeding, housing, caring, milking and energy sourcing. In addition we boast specific knowledge and experience in facilitating farmers to get the best out of their equipment. As such our in-depth knowledge of the complete farm cycle - from grass to glass - is unrivalled in the agricultural business.

We are committed to a sustainable, profitable and enjoyable future in farming.



Peeters Landbouwmachines B.V
Manufacturer of TULIP machinery

www.peecon.com
www.facebook.com/peecon
www.youtube.com/peeconmachinery

Distributed by:
Lely Australia Pty Ltd
48 Mackay Street
PO Box 199
Rochester, Victoria 3561
Australia

Tel: 1300 946 306
Fax: (03) 5484 1513
lelyaus@lely.com

As Lely and its associated suppliers and manufacturers have a policy of constant product improvement and innovation, we reserve the right to alter specifications without notice. The information contained in this brochure is provided for information purposes only and does not constitute an offer for sale. Certain products may not be available and products may differ from those illustrated and may display optional accessories or components. No part of this publication may be copied or published by means of printing, photocopying, microfilm or any other process whatsoever without prior permission in writing by Lely Australia Pty Ltd. Although the contents of this publication have been compiled with the greatest possible care, Lely cannot accept liability for any damage that might arise from errors or omissions in this publication.

TULIP BIGA - Australia

Vertical Feed Mixer Wagons



www.lely.com